



US008751685B2

(12) **United States Patent**
Parsons

(10) **Patent No.:** **US 8,751,685 B2**
(45) **Date of Patent:** **Jun. 10, 2014**

(54) **DOMAIN NAME HIJACK PROTECTION**

(75) Inventor: **Robert R. Parsons**, Scottsdale, AZ (US)

(73) Assignee: **Go Daddy Operating Company, LLC**,
Scottsdale, AZ (US)

(*) Notice: Subject to any disclaimer, the term of this patent is extended or adjusted under 35 U.S.C. 154(b) by 441 days.

6,434,600 B2	8/2002	Waite et al.	
6,446,133 B1	9/2002	Tan et al.	
6,477,577 B1	11/2002	Asano	
6,480,508 B1	11/2002	Mwikalo et al.	
6,519,589 B2 *	2/2003	Mann et al.	709/228
6,560,634 B1 *	5/2003	Broadhurst	709/217
6,643,687 B1	11/2003	Dickie et al.	
6,675,208 B1	1/2004	Rai et al.	
6,687,746 B1	2/2004	Shuster et al.	
6,745,248 B1 *	6/2004	Gardos et al.	709/245
6,868,498 B1	3/2005	Katsikas	

(Continued)

(21) Appl. No.: **12/722,379**

(22) Filed: **Mar. 11, 2010**

(65) **Prior Publication Data**

US 2010/0175137 A1 Jul. 8, 2010

(51) **Int. Cl.**
G06F 15/16 (2006.01)

(52) **U.S. Cl.**
USPC **709/245; 709/206**

(58) **Field of Classification Search**
USPC **709/245, 223–224, 220, 217**
See application file for complete search history.

(56) **References Cited**

U.S. PATENT DOCUMENTS

6,044,205 A	3/2000	Reed et al.
6,084,969 A	7/2000	Wright et al.
6,230,188 B1	5/2001	Marcus
6,286,045 B1	9/2001	Griffiths et al.
6,298,341 B1	10/2001	Mann et al.
6,308,203 B1	10/2001	Itabashi et al.
6,311,207 B1	10/2001	Mighdoll et al.
6,314,459 B1	11/2001	Freeman
6,321,267 B1	11/2001	Donaldson
6,330,605 B1	12/2001	Christensen et al.
6,345,294 B1	2/2002	O'Toole et al.
6,393,482 B1	5/2002	Rai et al.
6,400,722 B1	6/2002	Chuah et al.

FOREIGN PATENT DOCUMENTS

GB	2347053	8/2000
JP	10275119 A	10/1998

(Continued)

OTHER PUBLICATIONS

“Domain name Hijacking: Incidents, Threats, Risks, and Remedial Actions”, A Report from the ICANN Security and Stability Advisory Committee, pp. 1-48, Jul. 2005.*

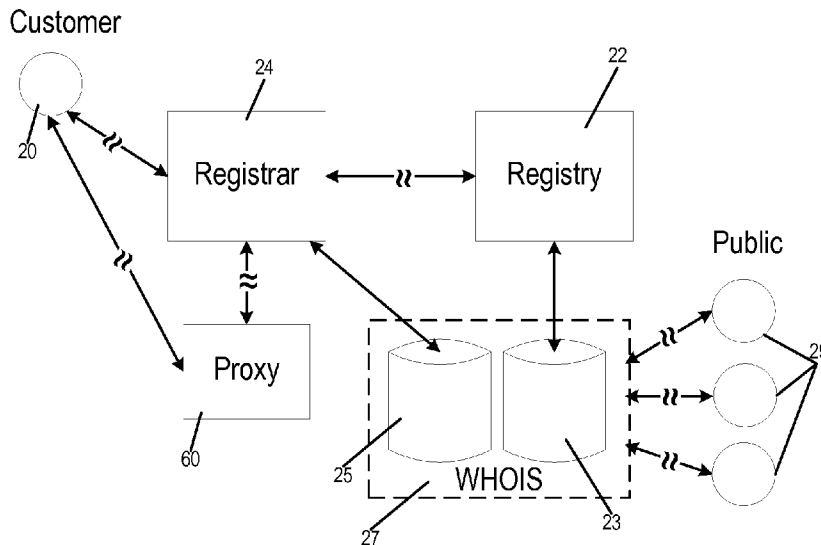
(Continued)

Primary Examiner — Philip B Tran
(74) Attorney, Agent, or Firm — Chris A. Watt

(57) **ABSTRACT**

A domain name registering entity (such as a domain registry, registrar, or reseller) or an independent proxy registration service may offer a domain name hijack protection to their actual or potential customers. When a domain name transfer request or notice is received in a proxy email address listed in the domain name’s WHOIS records, the domain name registering entity or the proxy registration service may ignore or decline it. Customers may be given an ability to turn the domain name hijack protection service on and off, as well as an ability to adjust a variety of settings associated with the service.

10 Claims, 20 Drawing Sheets



(56)

References Cited

U.S. PATENT DOCUMENTS

6,880,007	B1	4/2005	Gardos et al.	
7,006,993	B1	2/2006	Cheong et al.	
7,007,093	B2	2/2006	Spicer et al.	
7,039,697	B2 *	5/2006	Bayles	709/223
7,130,878	B2	10/2006	Parsons et al.	
7,194,552	B1	3/2007	Schneider	
7,240,095	B1	7/2007	Lewis	
7,299,299	B2	11/2007	Hollenbeck et al.	
7,299,491	B2	11/2007	Shelest et al.	
7,418,471	B2	8/2008	King et al.	
7,590,073	B2	9/2009	Beckmann et al.	
7,627,633	B2	12/2009	Rechterman et al.	
7,644,117	B2	1/2010	Zimmerman et al.	
2002/0010795	A1 *	1/2002	Brown	709/245
2002/0065903	A1 *	5/2002	Fellman	709/220
2002/0091827	A1 *	7/2002	King et al.	709/217
2002/0129013	A1 *	9/2002	Thomas	707/3
2002/0178381	A1	11/2002	Lee et al.	
2003/0191969	A1	10/2003	Katsikas	
2005/0102354	A1 *	5/2005	Hollenbeck et al.	709/220
2005/0188045	A1	8/2005	Katsikas	

2005/0289084	A1	12/2005	Thayer et al.	
2006/0101113	A1 *	5/2006	Lemson et al.	709/203
2006/0168020	A1 *	7/2006	Brennan, III	709/206
2007/0180056	A1 *	8/2007	Assad	709/217
2008/0046340	A1	2/2008	Brown	

FOREIGN PATENT DOCUMENTS

JP	2001167017	A	6/2001
JP	2002063116	A	2/2002
JP	2002091874	A	3/2002
JP	2002297938	A	10/2002
WO	WO9906929	A2	2/1999

OTHER PUBLICATIONS

May 17, 2012 office action in related U.S. Appl. No. 11/746,047.
 Feb. 8, 2013 response to Nov. 8, 2012 Office Action in related U.S. Appl. No. 11/746,047.
 Feb. 14, 2013 Office Action in related U.S. Appl. No. 12/549,686.
 Aug. 13, 2012 response to May 17, 2012 office action in related U.S. Appl. No. 11/746,047.

* cited by examiner

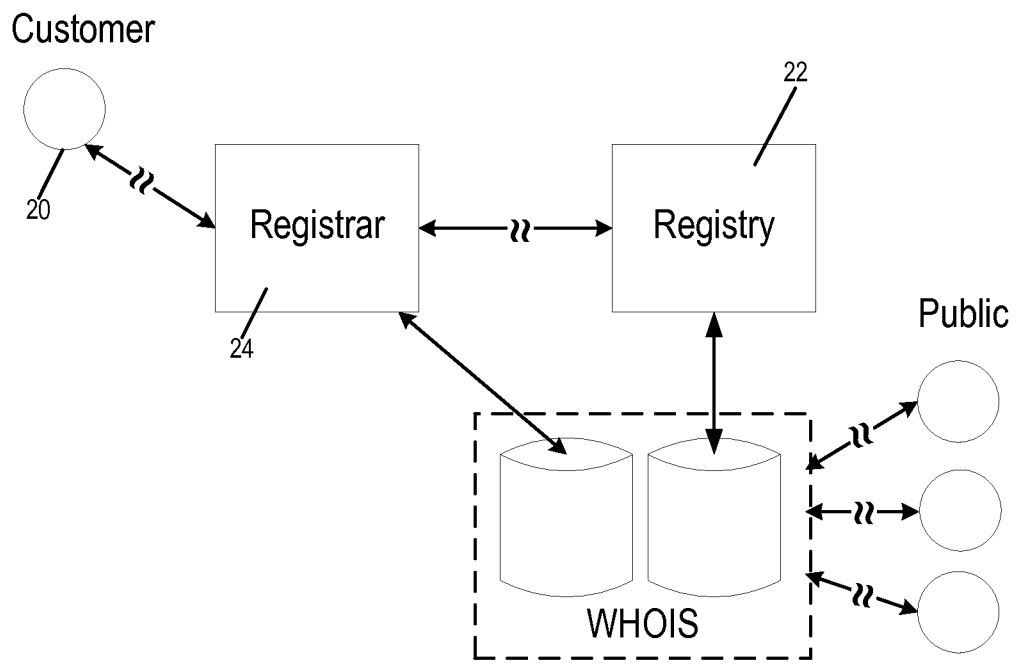


Fig. 1
Prior Art

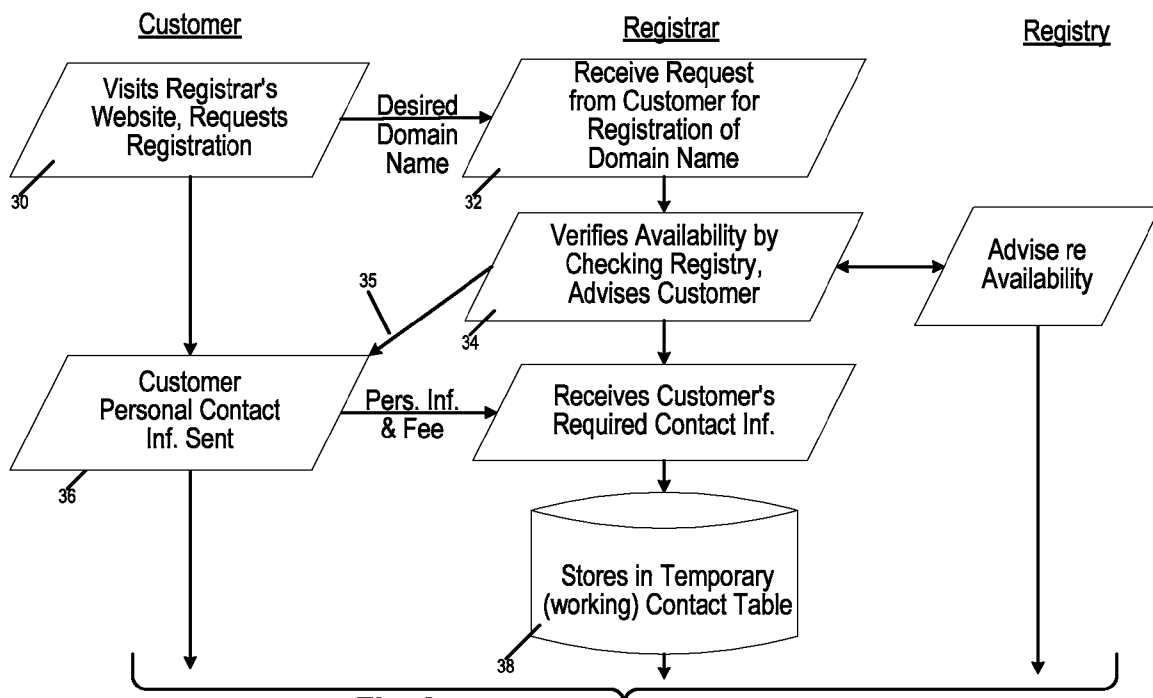


Fig. 2a
Prior Art

to Fig. 2b

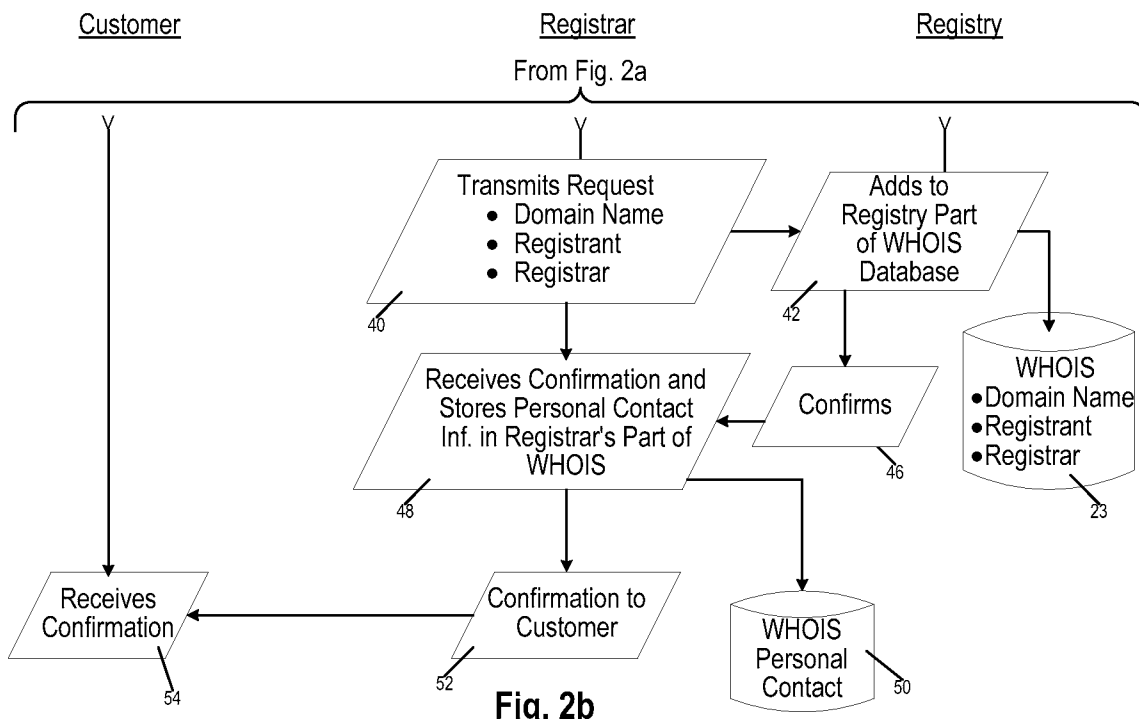


Fig. 2b
Prior Art

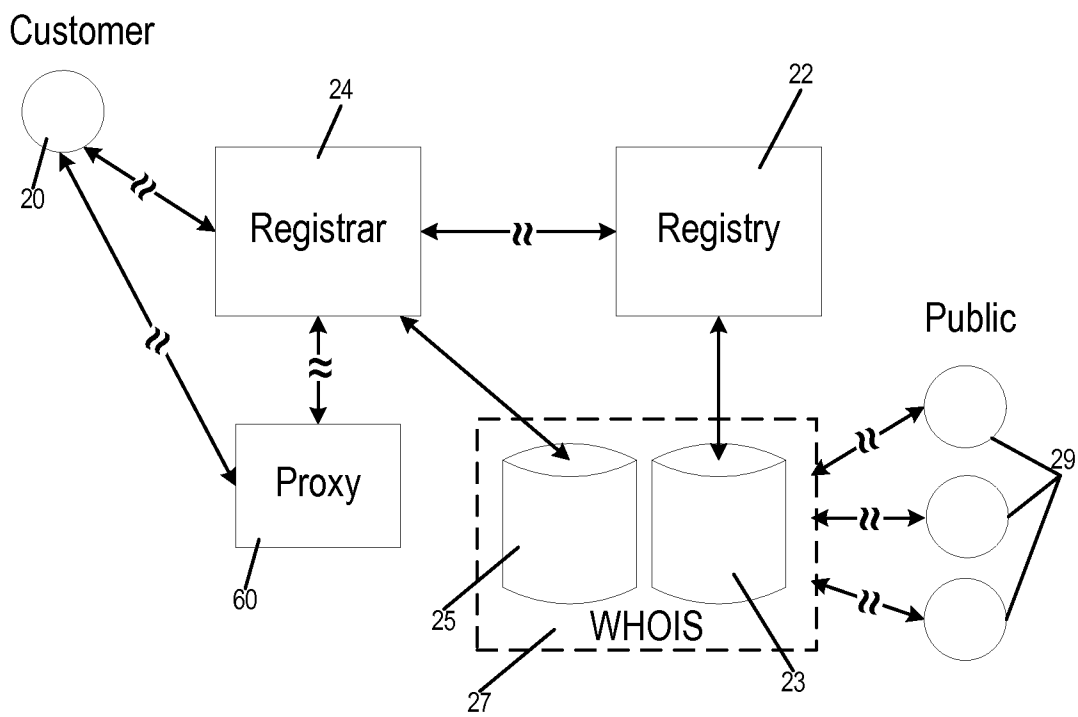


Fig. 3

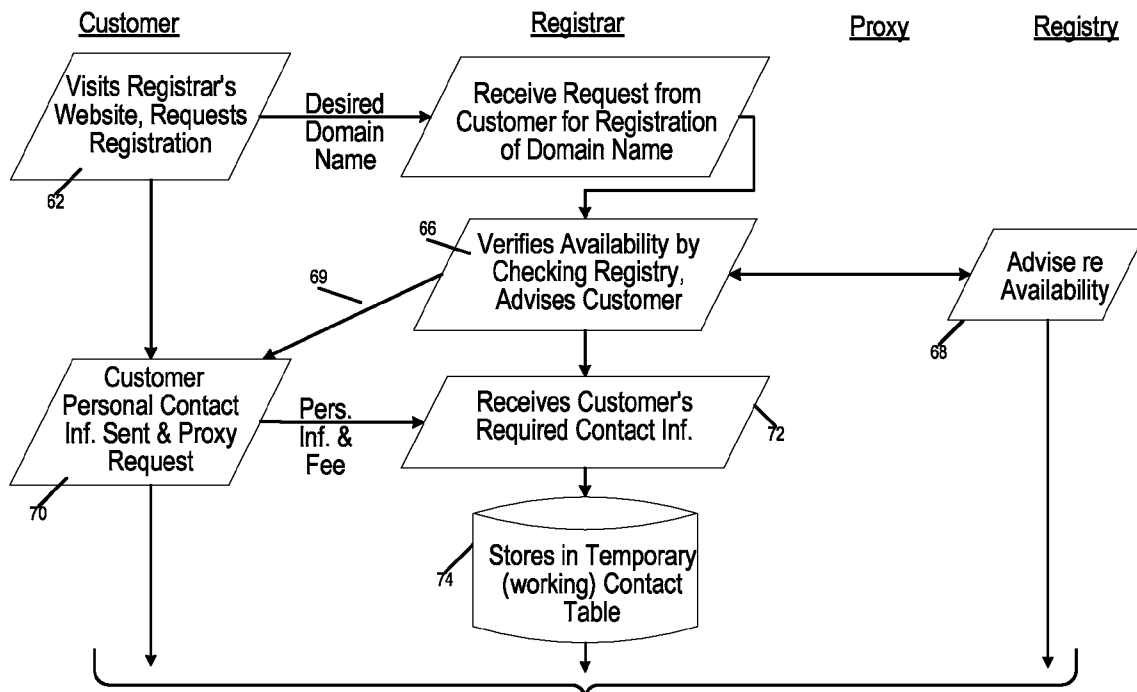
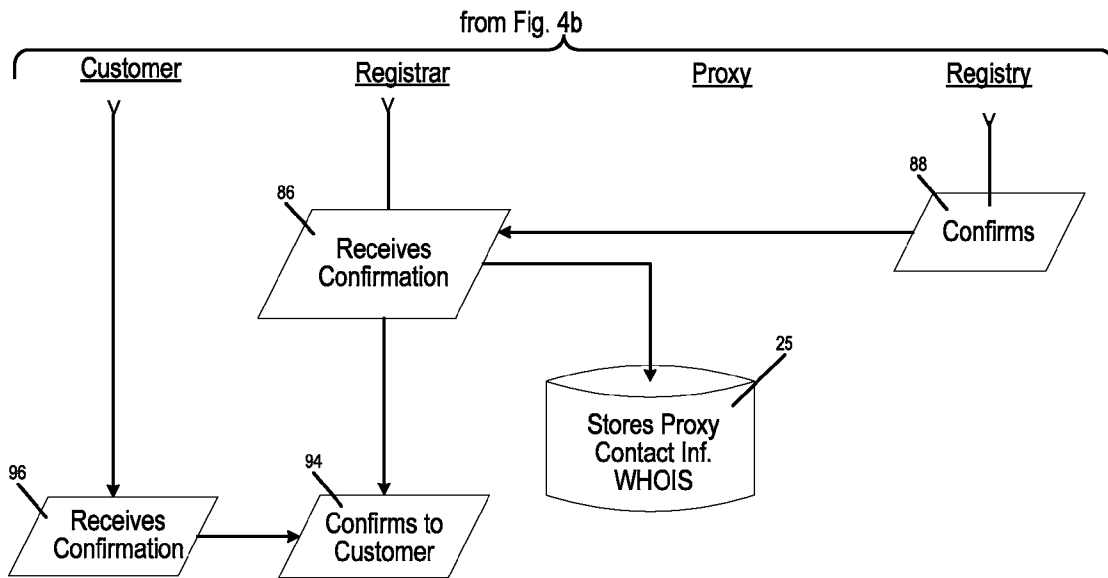
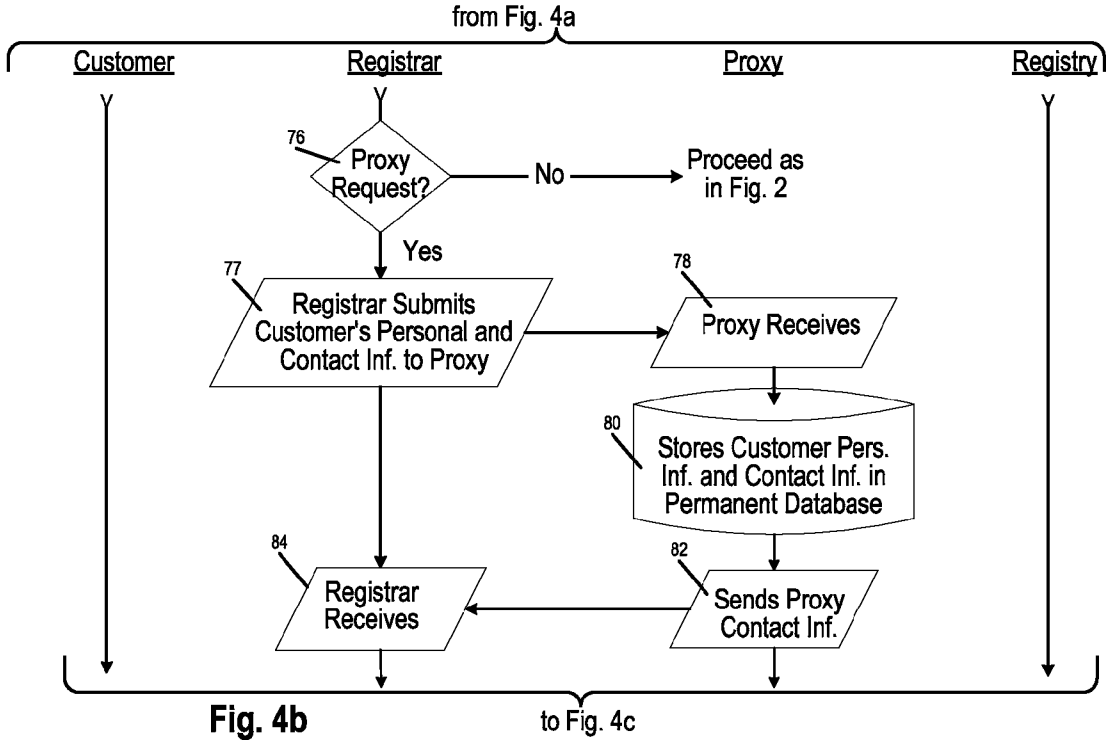
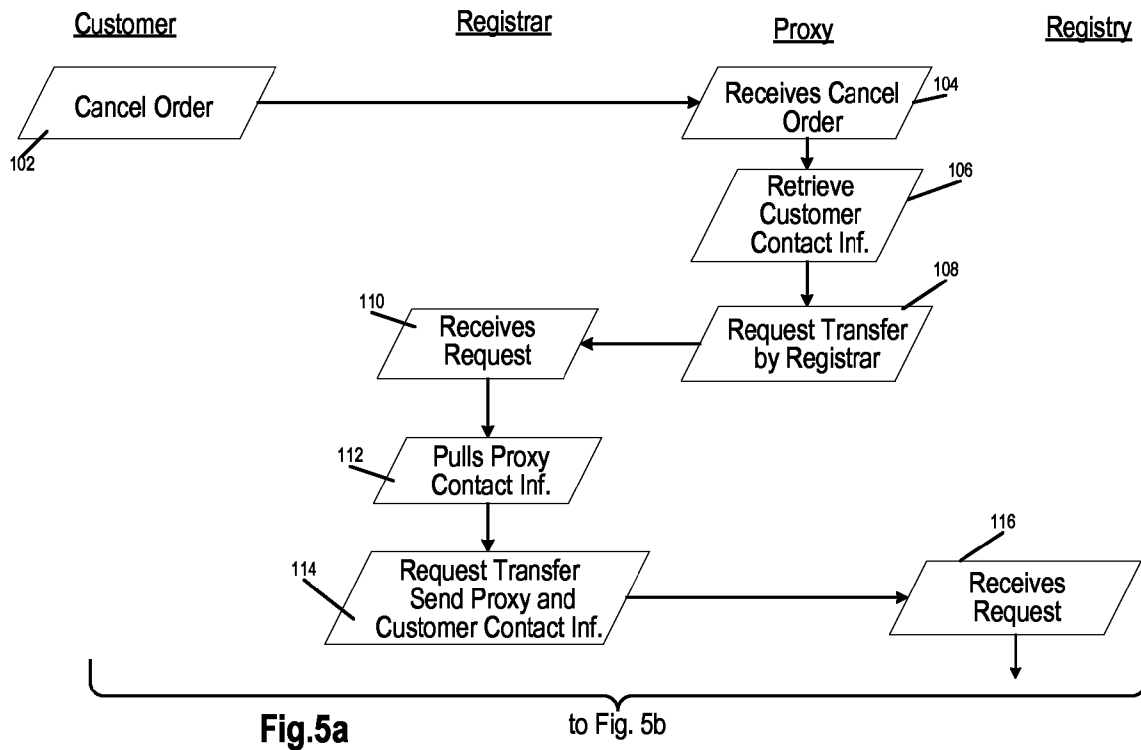


Fig. 4a

to Fig. 4b





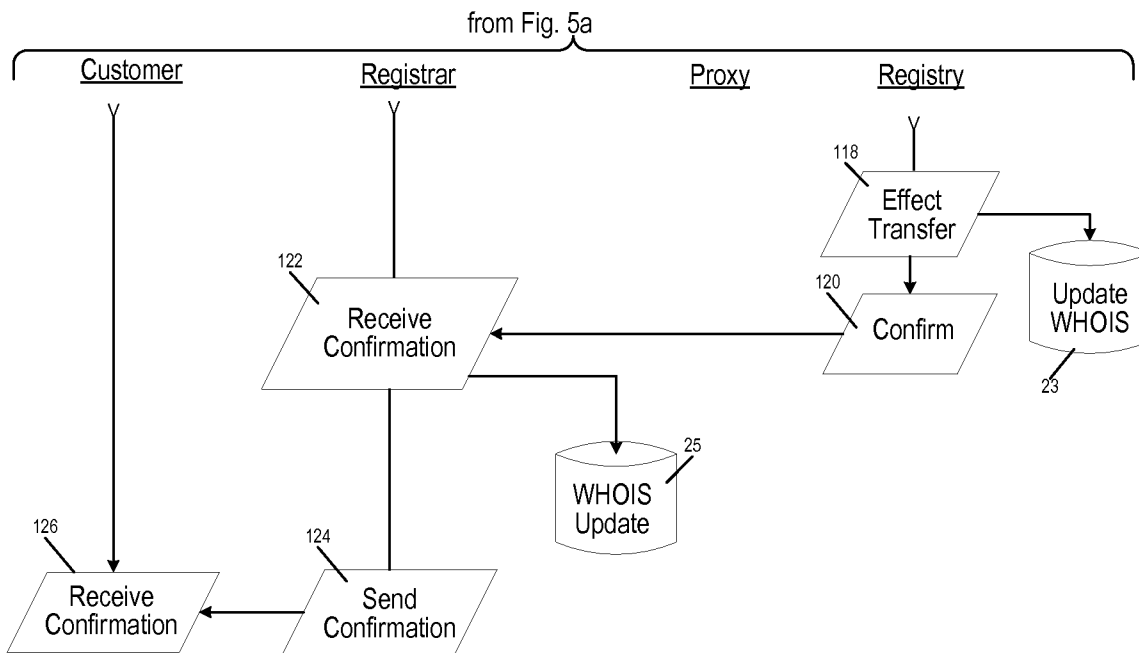


Fig. 5b

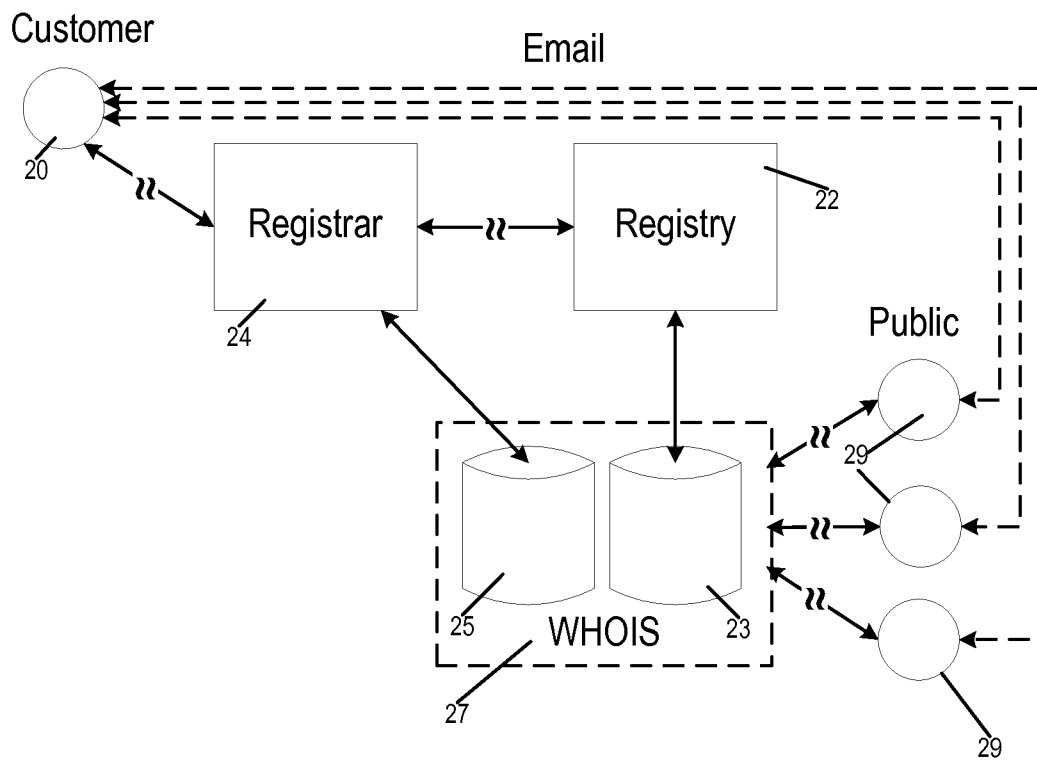


Fig. 6
Prior Art

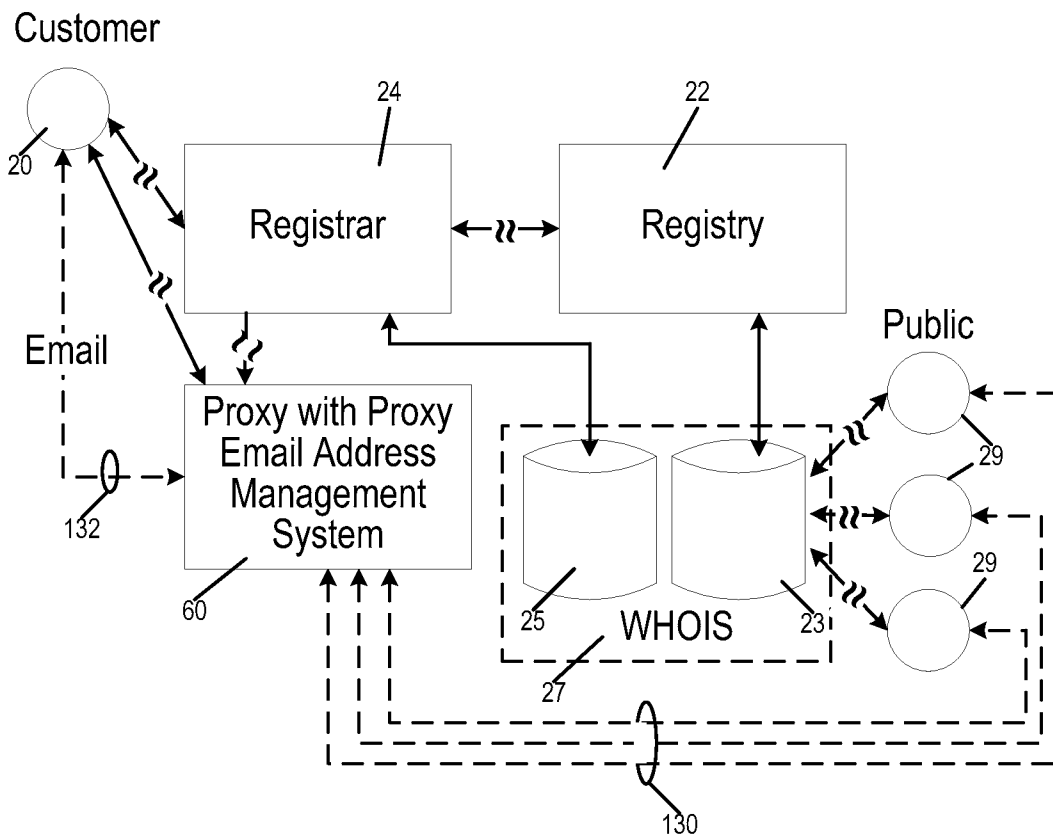


Fig. 7

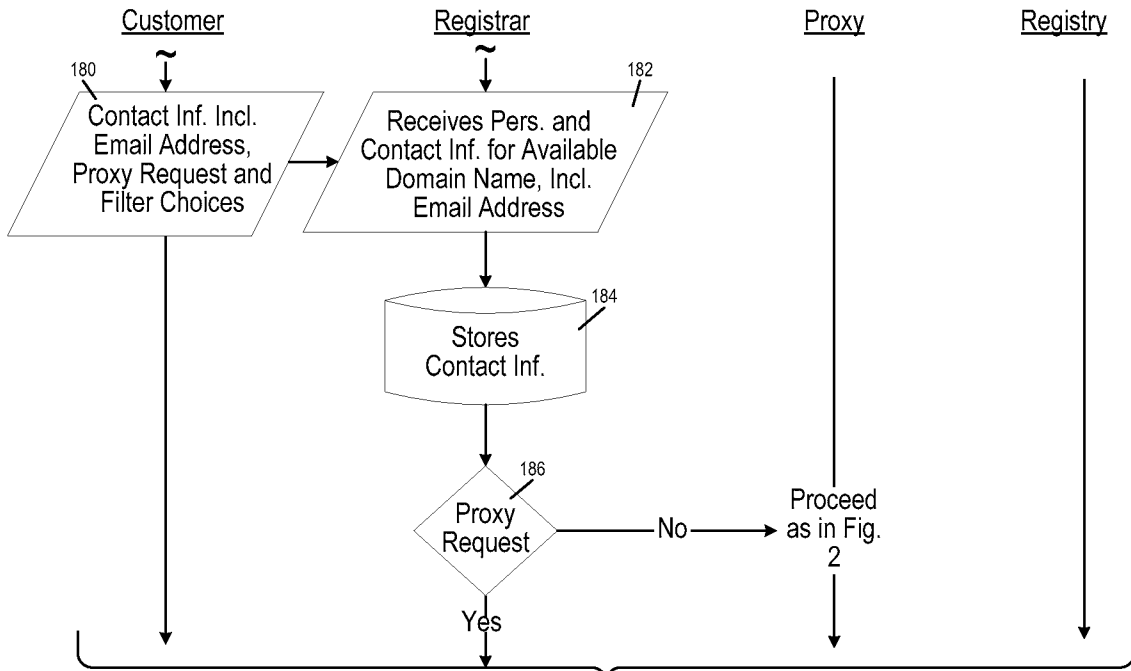


Fig. 8a to Fig. 8b

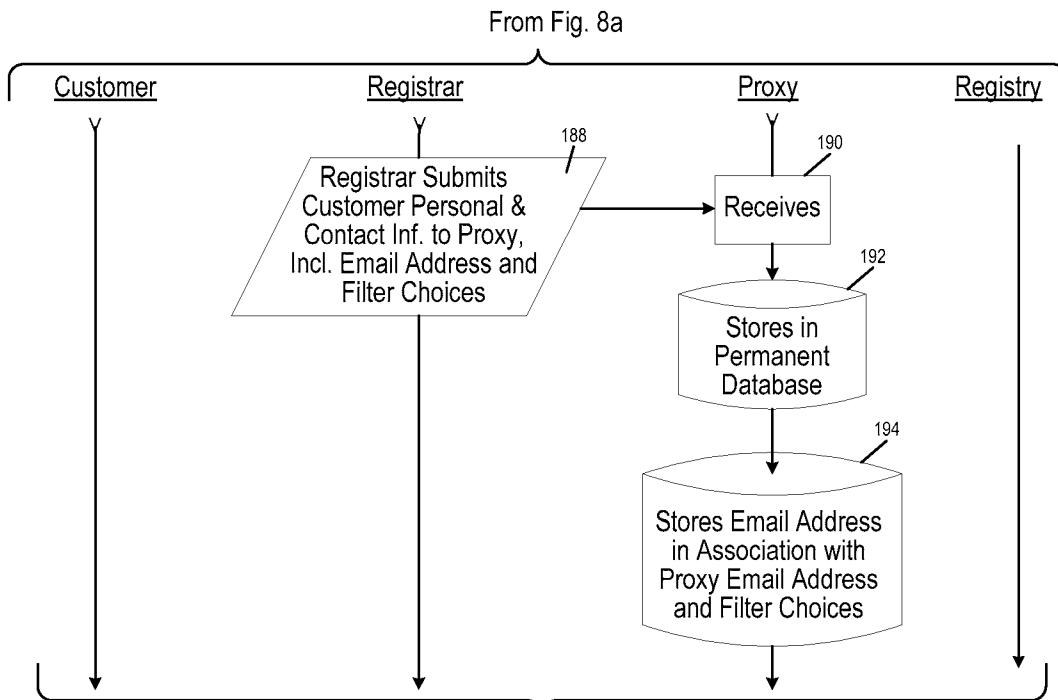


Fig. 8b to Fig. 8c

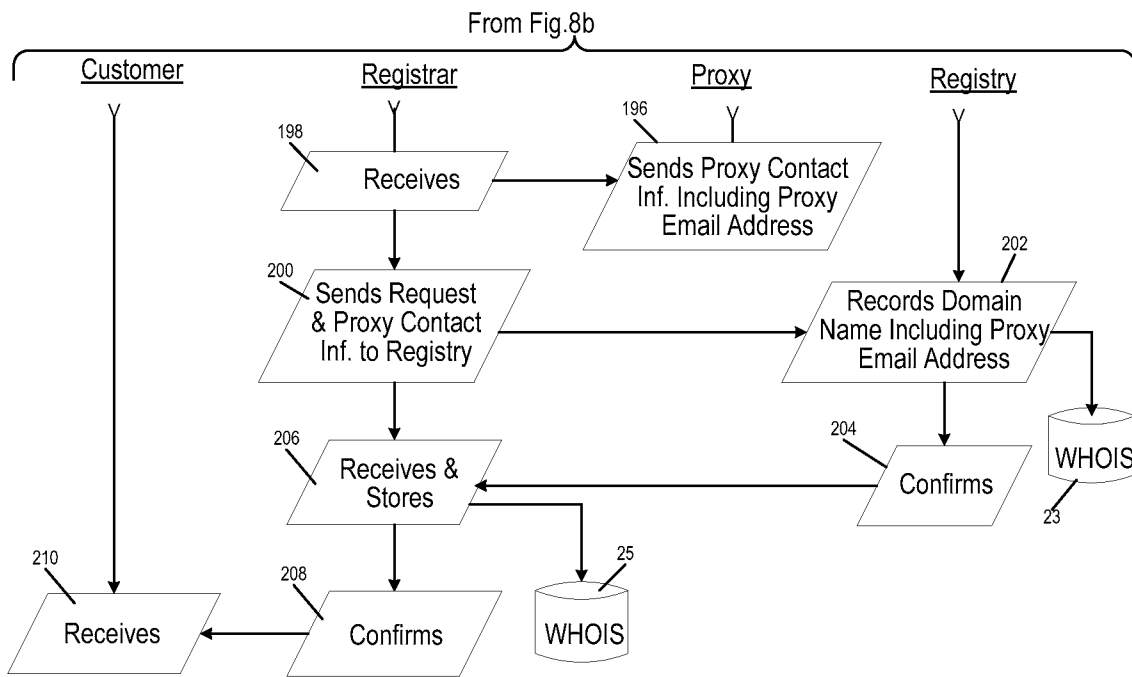


Fig. 8c

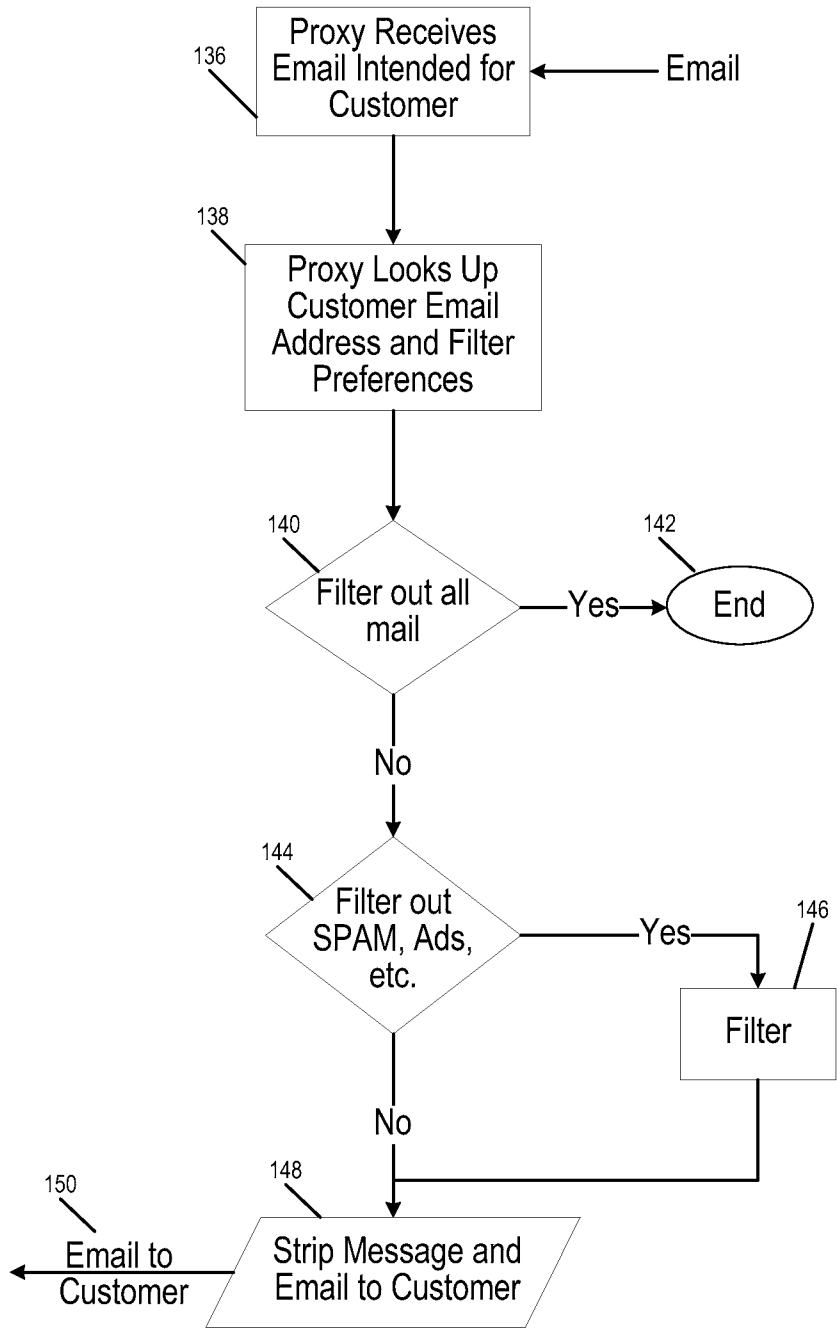


Fig. 9

▶ WHOIS Search Results

Registrant:

Gallagher & Kennedy (GKNET-DOM)
2600 N. Central Ave
Phoenix, AZ 85004
US

Domain Name: GKNET.COM

Administrative Contact:

Ulan, Gail (GU212)
Gallagher & Kennedy
2600 N. Central Ave
Phoenix, AZ 85004
602-530-8000 (FAX) 602-530-8000

gmu@GKNET.COM

Technical Contact:

Center, Network Control (NCC7)
West Publishing Corporation
620 Opperman Drive
St. Paul, MN 55164-0779
612/687-8188 (FAX) 612/687-5710

ncc@WESTPUB.COM

Record expires on 30-Mar-2011.

Record created on 29-Mar-1996.

Database last updated on 30-Aug-2002 14:54:01 EDT.

Domain servers in listed order:

NS1.WESTGROUP.NET	163.231.229.1
NS2.WESTGROUP.NET	163.231.245.1

Fig. 10

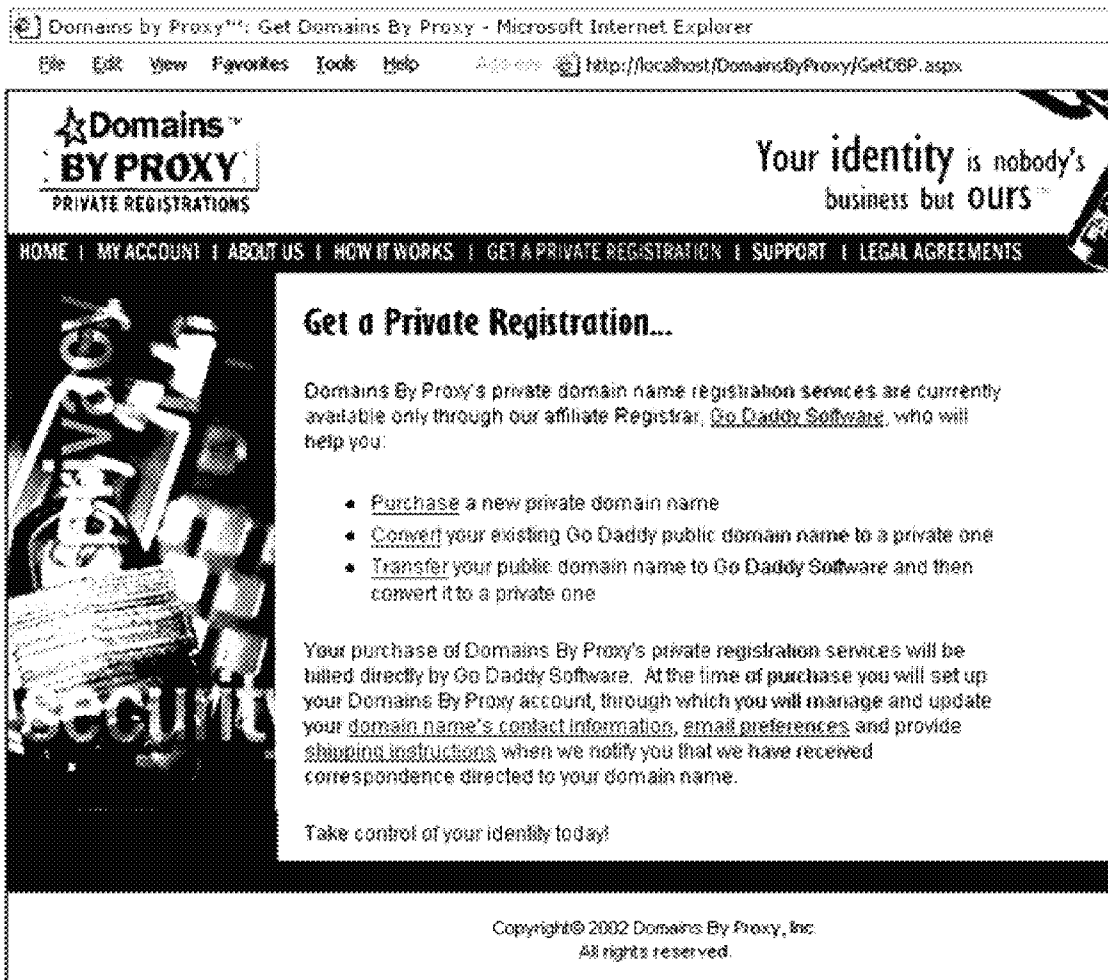


Fig. 11

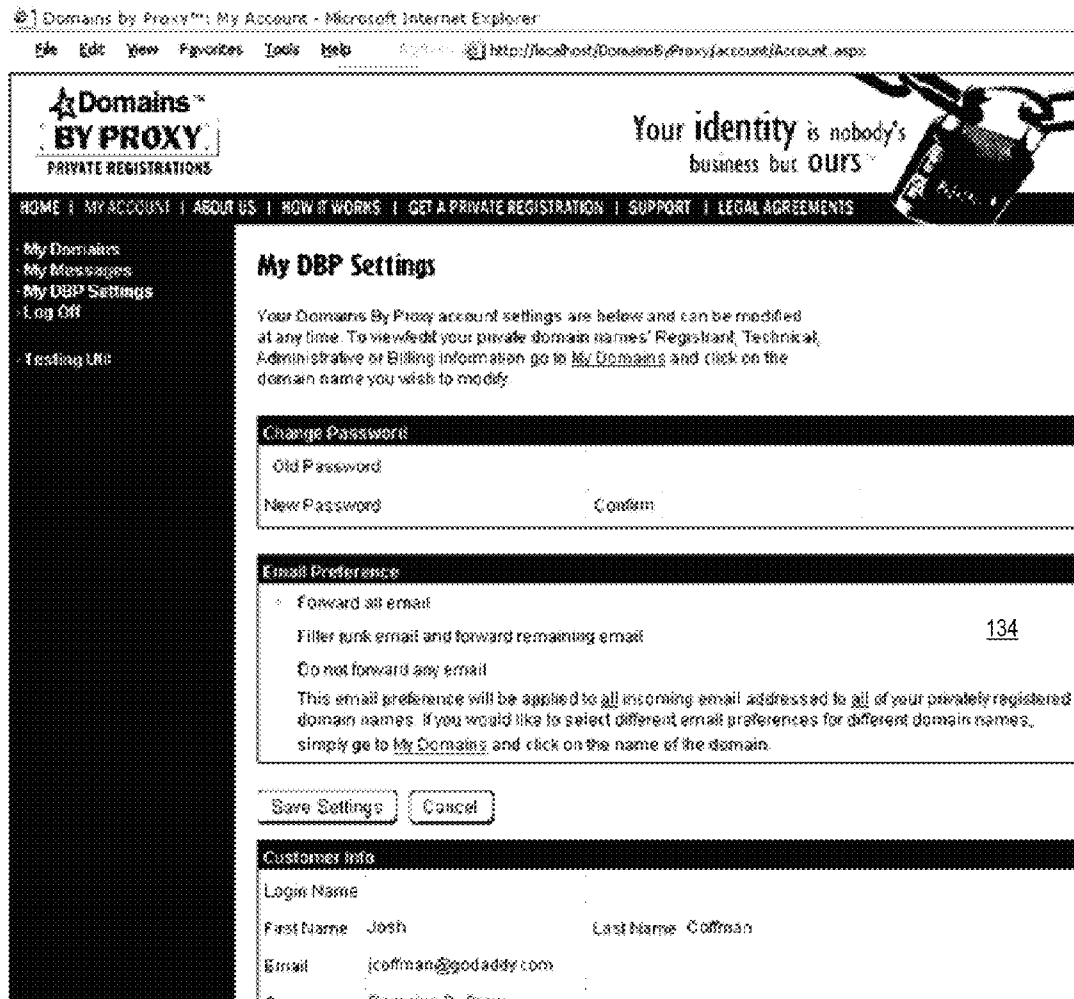


Fig. 12

Domains by Proxy™ My Account - Microsoft Internet Explorer
File Edit View Favorites Tools Help http://localhost/DomainByProxy/account/msgdetail.aspx?refw96

Domains™
BY PROXY
PRIVATE REGISTRATIONS

Your identity is nobody's business but Ours™

HOME | MY ACCOUNT | ABOUT US | HOW IT WORKS | GET A PRIVATE REGISTRATION | SUPPORT | LEGAL AGREEMENTS

My Domains
My Messages
My DBP Settings
Log Off
Testing UI()

Review Notification

[Return to List](#)
(1 of 2 messages on Incident) [View Other Messages](#)

Ref No: 96
Heading: you have a package
Type: package
Status: reviewed

Package Post Mark: 01/20/02 Date Received by DBP: 01/2/02

Package From: JoeSchode

Package Contents: lawsuit ← 212

Pending Acceptance & Payment of Service Fee!

Yes, I do want to Domains By Proxy to deliver this package and will pay:
- \$2.00 processing fee ← 214
- \$2.00 postage fee

No, I do not want this package forwarded to me. ← 216

Accept Selection

Copyright © 2002 Domains By Proxy, Inc. All rights reserved.

Fig. 13

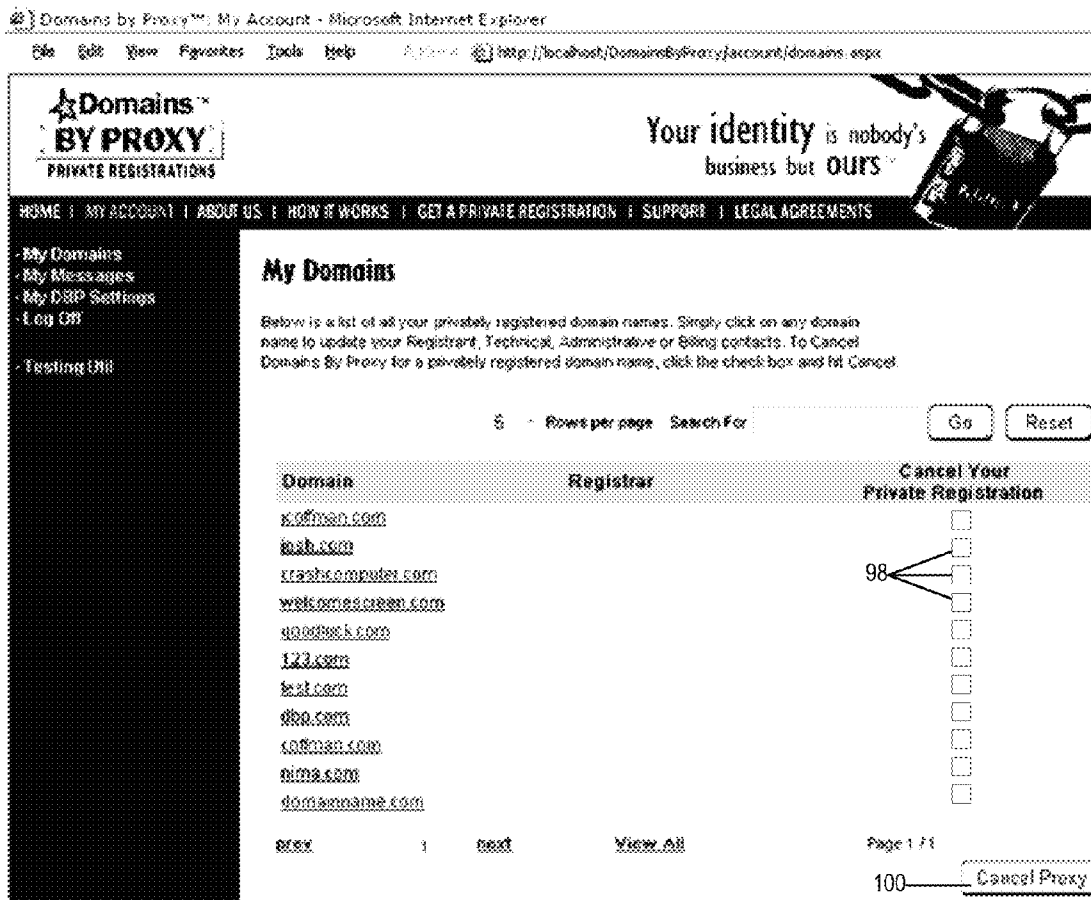


Fig. 14

Domains by Proxy™: My Account - Microsoft Internet Explorer
 http://localhost/DomainByProxy/Account/messages.aspx

Domains BY PROXY PRIVATE REGISTRATIONS

Your identity is nobody's business but OURS™

HOME | MY ACCOUNT | ABOUT US | HOW IT WORKS | GET A PRIVATE REGISTRATION | SUPPORT | LEGAL AGREEMENTS

- My Domains
- My Messages
- My D&P Settings
- Log Off
- Testing Unit

My Messages

The following messages have been sent regarding your privately registered domain name(s).
 Click on the links below to sort by column. Click on the subject to view the message.

Search For

Date	Status	Subject	Domain(s)
07/2002	reviewed	your account is up for renewal	joeffman.com
07/2002	reviewed	your account is up for renewal	joeffman.com
07/2002	reviewed	your account is up for renewal	joeffman.com
07/2002	reviewed	your account is up for renewal	joeffman.com
07/2002	new message	your account is up for renewal	joeffman.com
07/2002	new message	your account is up for renewal	joeffman.com
07/2002	new message	your account is up for renewal	joeffman.com
07/2002	new message	your account is up for renewal	joeffman.com
07/2002	new message	your account is up for renewal	joeffman.com
07/2002	new message	your account is up for renewal	joeffman.com
07/2002	new message	your account is up for renewal	joeffman.com
07/2002	reviewed	your account is up for renewal	joeffman.com
07/2002	new message	your account is up for renewal	joeffman.com
07/2002	new message	your account is up for renewal	joeffman.com
07/2002	reviewed	your account is up for renewal	joeffman.com
07/2002	new message	your account is up for renewal	joeffman.com

1 2 3 next View All Page 1 / 3

Copyright © 2002 Domains By Proxy, Inc. All rights reserved.

Fig. 15

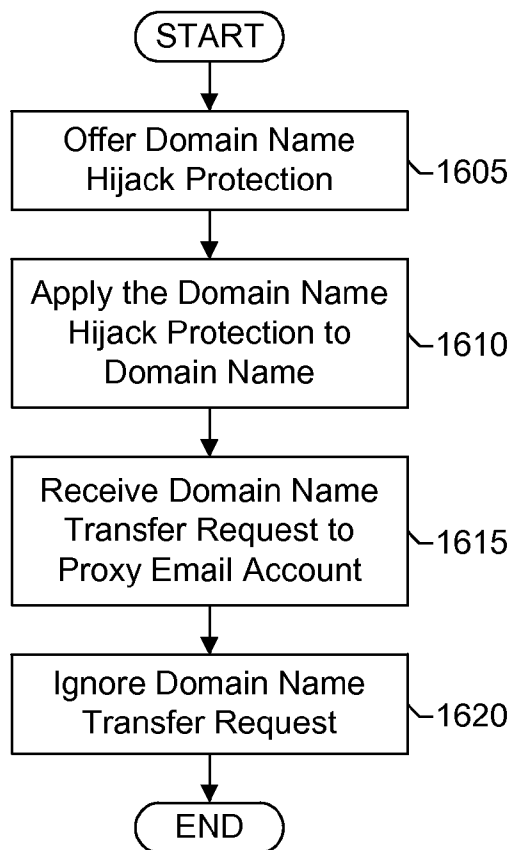


FIG. 16

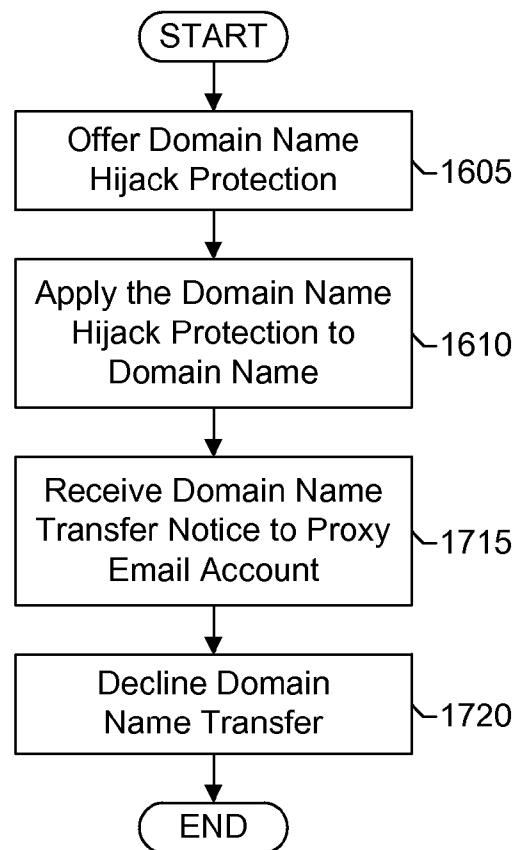


FIG. 17

DOMAIN NAME HIJACK PROTECTION

CROSS REFERENCE TO RELATED PATENT APPLICATIONS

This application is a divisional of U.S. patent application Ser. No. 11/746,047 to Robert R. Parsons filed on May 8, 2007 and titled "Domain Name Hijack Protection," which is a continuation-in-part of U.S. patent application Ser. No. 11/498,500 to Parsons et. al. filed on Aug. 2, 2006 and titled "Systems and Methods for Domain Name Registration By Proxy," now U.S. Pat. No. 7,996,457 issued on Aug. 9, 2011, which is a divisional of U.S. patent application Ser. No. 10/624,883 to Parsons et. al. filed on Jul. 21, 2003 and titled "Systems and Methods for Domain Name Registration By Proxy," now U.S. Pat. No. 7,130,878 issued on Oct. 31, 2006, which is a U.S. National Stage continuation of PCT Patent Application No. PCT/US02/27742 to Parsons et. al. filed on Aug. 30, 2002 in the U.S. Receiving Office and titled "Method and Systems for Domain Name Registration and Email by Proxy."

U.S. patent application Ser. No. 11/746,047 is also a continuation-in-part of U.S. patent application Ser. No. 10/526,107 to Parsons et. al. filed Feb. 28, 2005 and titled "Proxy Email Method and System," now U.S. Pat. No. 7,627,633 issued on Dec. 1, 2009, which is a U.S. National Stage continuation of PCT Patent Application No. PCT/US02/27956 to Parsons et. al. filed on Aug. 30, 2002 in the U.S. Receiving Office and titled "Proxy Email Method and System."

The subject matter of all patent applications is commonly owned and assigned to Go Daddy Operating Company, LLC. All prior applications are incorporated herein in their entirety by reference.

FIELD OF THE INVENTION

The present invention relates in general to a method and system for domain name registration and, more particularly, to a method and system for domain name protection using private domain name registration.

BACKGROUND OF THE INVENTION

The Internet comprises a vast number of computers and computer networks that are interconnected through communication links. The interconnected computers exchange information using various services, such as electronic mail, Gopher, and the World Wide Web ("WWW"). The WWW service allows a server computer system (i.e., Web server or Web site) to send graphical Web pages of information to a remote client computer system. The remote client computer system can then display the Web pages. Each resource (e.g., computer or Web page) of the WWW is uniquely identifiable by a Uniform Resource Locator ("URL"). To view a specific Web page, a client computer system specifies the URL for the Web page in a request (e.g., a HyperText Transfer Protocol ("HTTP") request). These follow the familiar format `http://www.xxx.com` uniquely identifying the particular resource. The request is forwarded to the Web server that supports that Web page to the client computer system. When the client computer system receives that Web page, it typically displays the Web page using a browser. A browser is a special-purpose application program that effects the requesting of Web pages and the displaying of Web pages.

Currently, Web pages are typically defined using HyperText Markup Language ("HTML"). HTML provides a standard set of tags that define how a Web page is to be displayed.

When a user indicates to the browser to display a Web page, the browser sends a request to the server computer system to transfer to the client computer system an HTML document that defines the Web page. When the requested HTML document is received by the client computer system, the browser displays the Web page as defined by the HTML document. The HTML document contains various tags that control the displaying of text, graphics, controls, and other features. The HTML document may contain URLs or other Web pages available on that server computer system or other server computer systems.

Generally a Web page's address or URL is made up of the name of the server along with the path to the file or the server. Rather than using a Web hosting service's server name as their URL, most companies and many individuals and other entities prefer a "domain name" of their own choosing. In other words, the Ford Motor Company probably would prefer `http://www.ford.com` as its URL rather than, say, `http://servername.com/~ford`, where "servername" is the name of a Web hosting service whose server The Ford Motor Company uses. For this purpose then a "domain name," e.g. "ford" can be registered, if available, and the hosting service will use that URL for its customer's Web address.

The process of registering one's own domain name proceeds as follows: Referring to FIG. 1 shown there are the various entities that participate in the registration of a domain name. The communications like those shown here and in other Figures of the drawings are typically communications via the Internet, but could be direct LAN, or WAN connections, telephone land line or cell phone links, communications by RF or optic fibers among others. An individual, company, small business or other entity **20** (hereinafter "customer") desires to obtain his/her own domain name using one or more of the Internet Corporation for Assigned Names & Numbers ("ICANN") approved top level domain ("TLD") name extensions (e.g., .com, .net, .org, .us, .biz, etc.). All domains are organized through a shared, central domain name registration system. There is one domain name registration system, or registry **22** for each of the ICANN-approved TLDs. Each registry **22** is operated and maintained by an ICANN-approved company **20**. The entities **20**, **24** and **22** in FIG. 1 include, of course, computer installations equipped typically for Internet communication. FIG. 1 assumes that the customer **20** has a server or servers. It may, however, contract with another, a host who provides servers as is conventional. This does not change the relationship of the entities involved here and so is not separately shown.

The process for registering a domain name with a particular registry requires a customer to use an ICANN accredited registrar **24**. For example, John Doe wishes to register the following domain name: "johndoe.com". Initially, John Doe must verify whether the desired domain name is or is not available, by contacting the ICANN-accredited registrar **24**. Utilizing a database search engine run by the registrar **24**, at **30** in FIG. 2, JohnDoe can ascertain whether "johndoe.com" has already been registered by another customer by requesting the domain name from the registrar at **32**. The registrar determines if the domain name is available at **34**. If the desired domain name has not been registered, the registrar so advises the customer, at **35**. The customer can proceed with the registration, utilizing the services of any ICANN approved registrar.

Regardless of the registrar used to process the registration, the customer must (together with payment of the registrar's applicable fees), provide certain personal information at **36** in order to complete the registration. That information includes the customer's address and personal contact information

including email addresses, phone numbers and mailing addresses of administrative and technical contacts. The registrar stores the customer contact information and domain name in a temporary, working contact table at 38. Thereafter, with the registration request, the registrar transmits, at 40, certain information to the registry regarding both the registrar and the customer, who will, upon completion of the registration process, be identified as the “registrant” of the domain that is now officially registered with the registry. The registry adds, at 42, the domain name, the registrant’s name and identification of the registrar to the part 23 of the WHOIS database 27 kept by the registry. The registry confirms registration at 46. The registration process is concluded by the registrar confirming the registration to the customer at 52 and 54.

Upon completion of the registration process at 41, certain identifying information is made publicly available in a database managed by each registrar. This is the registrar’s portion 25 of the WHOIS database 27 shown on FIG. 1. For each registered domain name, the registrar’s WHOIS database identifies the name of registrar, the registrar’s “WHOIS” homepage link, the date the domain name was registered and the domain name’s expiration date. The WHOIS database also makes public the registrant’s personally identifiable information, specifically the registrant’s name and postal address, phone number and email address, the name of administrative and technical contacts, and their respective postal address, voice and fax telephone numbers and email addresses and the name of the servers upon which the registered domain name is located.

The registrar’s WHOIS database is accessible by anyone who has Internet access, anywhere and anytime. Although the use to which WHOIS data can be put is limited by ICANN, the registrant’s personally identifiable information is required to be readily available to the public, including those who would seek to engage in data mining, SPAMMING, or other potentially undesirable activities. A typical WHOIS record from a registrar is shown in FIG. 10.

For certain domain name registrants, it would be desirable if the personal contact information required to be displayed on the WHOIS database were not available. For example, a celebrity who wishes to participate in activities on the WWW might not want her identity and other information known so as to avoid harassment, stalking, hacking, data mining or simply “prying eyes.” It would be desirable if such persons could anonymously participate in Web-related activities, even having a home page, without their true identity being known, but without violating the rules set down by ICANN. Typically, domain name owners receive email at an email address that contains their domain name ordinarily. For example, xxx@yyy.com is an email address where yyy is the registrant’s domain name. Because of the availability of the registrant’s email address on the WHOIS record available from the registrar, a member of the public can address email to the registrant. In addition to shielding its domain name registrant from unwanted contact including harassment, stalking, prying, and the like, it could be desirable to keep the domain name registrant’s email address confidential. It could further be desirable in many instances for that registrant to have access to the email intended for it without having to publish its email address for all to see. In addition it could be desirable to the anonymous Web participant to respond anonymously to email or to originate email anonymously.

Filtering of email messages to preclude junk email, SPAM, unauthorized bulk email, unauthorized commercial email, pornography, viruses, worms, Trojan horses, and other harmful submissions would often be desirable, as well.

Domain hijacking is another growing problem on the Internet. Domain hijacking is obtaining control over a domain name illegally. Domain hijackers may transfer a domain name to themselves or change the contact information and/or Name Servers in WHOIS records. Protection from domain hijacking is also desired.

SUMMARY OF THE INVENTION

In accordance with this invention, a system and method for the registration of domain names employs a proxy entity (“proxy”) to maintain the confidentiality of a domain name owner. A would-be domain name registrant can choose to have its desired domain name registered in the name of the proxy. The publicly available registrant information lists just the proxy’s personal contact information.

Email intended for the customer is diverted to the proxy registrant whose email address appears on the publicly available registration information WHOIS. The proxy can, if the customer desires, filter out unwanted email, block all email, or forward all email to the customer.

Contractually, the customer enjoys the full rights of ownership of the domain name. The customer can: cancel the proxy’s services anytime in which case ownership of the domain name will revert back to the private registrant; sell, transfer or assign the domain name to anyone else, in which event the purchaser, transferee or assignee will become the official “registrant” of record with the applicable registry; control and/or manage each domain name, including designating the IP address to which each domain name points; cancel each domain name’s registration; renew each domain name upon its expiration; and have a right of first refusal should proxy’s ownership of the domain name become subject to creditor’s claims. The system permits the customer to cancel the proxy registration at any time by two clicks on a Web page. Upon that command, the registrar who has registered the domain name in the name of the proxy transfers the domain name to the customer, using the customer’s actual contact information.

Typically the communications among the involved participants are among computer installations via the Internet. But, without departing from the invention, they could be by those other communication modes mentioned above.

In accordance with one embodiment of the invention, a would-be domain name customer contacts the registrar who then checks with the registry to see if the domain name is available. If it is, the registrar so advises the customer, requests the customer’s personal contact information and asks if the customer chooses to register by proxy. Of course, this is done by interactive screens that are a part of the registrar’s Web site.

If the customer declines to register by proxy, then the registrar completes registration in the ordinary fashion. In that case, it will be the customer’s personal contact information and email address that appears in the WHOIS records as usual.

On the other hand, if the customer decides to register by proxy, the registrar temporarily records the customer’s personal contact information in a temporary, working table. The registrar contacts the proxy entity and obtains from the proxy entity the personal contact information of the proxy entity. The registrar then registers the chosen domain name in the name of the proxy and gives the proxy’s personal contact information. The proxy, then, is the actual registrant and owns the domain name. As stated, however, all of the rights of ownership are contractually made available to the customer. The registrar gives to the proxy the customer’s personal con-

5

tact information, and the proxy stores that in a permanent record along with the domain name. The registrar stores the proxy's name, the domain name, and the proxy's personal contact information and email address in its permanent database record, which is the registrar's portion of the WHOIS database.

Once the registrar completes the registration, the proxy will notify the individual, via email, that an account with the proxy has been opened and request that the individual "click" on a link to activate the account. The individual will also be given a password so that the individual can access his/her proxy account.

If the customer chooses, email intended for the customer will go to the proxy if the sender has determined the email address from the WHOIS record or from another location such as a Web site or print media listing the proxy email address. During the registration process, the registrar has the customer indicate whether it wishes to receive all email addressed to the proxy email address, no email addressed to that address, or email from which objectionable mail has been filtered.

If filtration is chosen by the customer during registration, then the proxy uses familiar filtration principles based on key words in the message, known SPAM originators in the "from" field, and the number of addressees in either the "from" or the "cc:" field to determine if there is objectionable content, if the email has come from a known source of SPAM, or if the email is being emailed in bulk.

Of course the described operations are effected through programming at the registrar and the proxy entity. When the proxy's email server receives email it determines whether it is real email for the proxy or email intended for a customer. Email addressed to the proxy entity that is to be forwarded has its message stripped and copied into an email from the proxy along with the sender's email identity and the alert that "this message was sent to you at the proxy email address."

The methods of the present invention may further provide domain name hijack protection by ignoring or declining domain name transfer requests and notices.

The above and further objects and advantages will be better understood with reference to the following detailed description of at least one preferred embodiment taken in consideration with the accompanying drawings.

BRIEF DESCRIPTION OF THE DRAWINGS

FIG. 1 is a block diagram illustrating the relationship between the participants in a prior art domain name registration process;

FIG. 2 is a functional block diagram in flowchart form illustrating the method of domain name registration typically employed in a prior art registration process;

FIG. 3 is a block diagram like FIG. 1 showing the relationship of participants in a domain name registration process according to this invention;

FIG. 4 is a functional block diagram like FIG. 2 in flowchart form showing the process of proxy domain name registration in accordance with this invention;

FIG. 5 is a functional block diagram in flowchart form showing the steps in cancellation of proxy registration in accordance with this invention;

FIG. 6 is a block diagram showing the relationship of participants in a typical email process;

FIG. 7 is a block diagram like FIG. 6 showing the participants in a proxy email process according to this invention;

6

FIG. 8 is a functional block diagram in flowchart form illustrating a portion of the proxy registration process by which proxy email is affected.

FIG. 9 is a functional block diagram in flowchart form illustrating the proxy email process;

FIG. 10 is an exemplary WHOIS record available from a registrar;

FIG. 11 is a screen shot illustrating an initial screen by which a customer initiates registration by proxy;

FIG. 12 is a screen shot and illustrates a screen by which a customer can set his choices for email and input his contact's identification;

FIG. 13 is a screen shot of a screen by which a customer can accept mail delivery of mail to the proxy address appearing on the WHOIS record;

FIG. 14 is a screen shot showing a screen by which the customer can cancel proxy registration;

FIG. 15 is a screen shot showing a screen by which a customer can access messages from the proxy; and

FIGS. 16-17 are flowcharts showing the process of domain hijack protection using proxy domain name registration.

DETAILED DESCRIPTION

Turning to FIG. 3, the participants in a domain name registration by proxy include the customer 20, the registrar 24, the registry 22, and the proxy entity 60. Each of the registrar 24 and registry 22 has a permanent record portion 23, 25 of the WHOIS database 27. The registry's portion 23 lists domain name, registrant, and registrar information. The registrar's portion 25 lists the information shown in FIG. 10, a representative WHOIS record from a registrar. The customer, registrar and proxy computer installations are typically in communication via the Internet. The registrar and registry are in communication, again typically by Internet. The public indicated at 29 has available to it via the Internet the WHOIS records in the databases maintained by the registry and the registrar.

As illustrated in FIG. 4, proxy registration proceeds as follows. Just as in the prior art FIG. 2a procedure, the customer visits registrar's Web site and requests registration at 62. The customer may be referred from a proxy's screen like that illustrated in FIG. 11. The registrar computer installation receives the request including the desired domain name at 64. It verifies availability at 66 by checking with the registry at 68 and advises the customer at 69. As indicated at 70, customer personal contact information, and in this case, a proxy request is supplied to the registrar. The registrar receives it at 72. The registrar stores the customer personal contact information in computer memory in a temporary, working contact table at 74. At 76 the registrar's computer program enters a decision block. If no proxy request has been made the program continues as in FIG. 2. If, as here, proxy registration has been requested, then the registrar's program departs from the prior art FIG. 2 procedure and submits, at 77, the customer's personal contact information to the proxy at 78. At 80 the proxy stores the customer's personal information in its permanent database. The proxy then sends its personal contact information to the registrar at 82. Upon receipt of the proxy contact information at 84, the registrar sends a request for registration of the domain name and the proxy personal contact information to the registry at 86. At 88, the registry receives the request and records the domain name along with the proxy registrant identification and the registrar information in its WHOIS portion 23. Then at 90 the registry confirms the registration.

Upon receiving the confirmation from the registry at **92**, the registrar stores the proxy contact information in its permanent table that forms its portion of the WHOIS database **25**, at **94** the registrar confirms the registration to the customer, who receives that confirmation at **96**.

By a screen shown in FIG. **14**, the proxy entity affords the customer the opportunity to cancel proxy registration. The customer checks the relevant domain name by clicking on one or more of the boxes **98** provided and then by clicking on the cancel proxy button **100**. As shown in FIG. **5a**, at **102**, by clicking on the cancel proxy button the customer sends the cancel order to the proxy at **104**. The proxy retrieves the relevant customer contact information at **106**. At **108** the proxy requests transfer of the registration by the registrar, which receives that request at **110**. At **112**, the registrar pulls the proxy contact information. The registrar then sends the request for transfer along with both the proxy contact information and the customer contact information at **114** to the registry at **116**. The registry effects transfer as shown at **118**, FIG. **5b**. The registry updates its portion **23** of the WHOIS database and at **120** sends a confirmation to the registrar which is received at **122**. The registrar updates its portion **25** of the WHOIS database and then sends confirmation at **124** to the customer, who receives it at **126**.

FIG. **7** shows the relationship of the participants in a proxy email address management system. As previously, the proxy **60** is the proxy domain name registrant. Email senders **29** who learn of the proxy registrant's email address from WHOIS **27**, or from another source, send their email to the proxy email address as indicated at **130**. The proxy **60** forwards such email as the customer has indicated he or she is interested in receiving. This is indicated at **132**.

As shown in the screen shot of FIG. **12**, the customer **29** was given a number of filtration choices at **134**. The customer can elect to have all email forwarded by the proxy **60**, to filter called "junk email" or not to have mail sent to the proxy email address forwarded.

Returning to FIG. **7** in one embodiment, the customer **20** who desires to send email of his or her own addresses the mail to the proxy who then forwards the mail under its own proxy email address. In this embodiment, the customer's email address is not revealed. Alternatively, the proxy only forwards email to the customer. The customer then, if he or she so desires, responds to those emails of interest under its own email address.

FIG. **8** shows the process by which proxy email is established. After it has been determined that the domain name is available as previously described, the customer **20** is prompted for his or her contact information including email address. the customer is also prompted to indicate proxy domain name registration is desired and whether proxy email is desired. If so, the customer's filter choices are to be indicated as indicated at the location **134** on the screen of FIG. **12**. The customer responds at **180**. The registrar receives the contact information including the email address at **182**. It stores these at **184**. At the decision block **186**, it is determined whether a proxy request has been made. If not, the program proceeds as in FIG. **2**. If yes is the answer, the registrar submits customer personal information to the proxy including the email address and filter choices at **188** in FIG. **8b**. The proxy receives the information at **190** and stores it in its permanent database at **192**. At **194** the proxy also stores the email address in association with the proxy email address and filter choices. At proxy **60** of FIG. **7**, for each customer that requests to be registered for proxy email, the email address management system creates a virtual email address according to naming conventions and associates it with that customer's

account. At **196** in FIG. **8c** the proxy sends proxy information including the virtual email address to the registrar, which the registrar receives at **198**. The registrar sends the request for domain name registration with the identification of the proxy as the registrant and the registrar information to the registry at **200**. The registry records this information in its portion **23** of WHOIS at **202**. The registry confirms registration at **204**. The registrar receives that confirmation at **206**. At **208** the registrar stores the proxy contact information in its permanent table along with the email address of the proxy and this appears in the WHOIS record **25** administered by the registrar. The registrar then confirms the registration to the customer who receives it at **208**. The customer receives the confirmation at **210**. The customer is now set up to receive email filtered as desired.

The proxy email address management system of the proxy uses the following standards. For the domain name "DomainA.com" the virtual email address dbp.DomainA.com@DomainsByProxy.com is assigned. Thus, the virtual email address is unique to each domain and conflict with a real email address on DomainsByProxy.com, the domain name of the proxy, is improbable.

At the proxy installation an email server is set up to accept emails for the proxy's email address domain. The processing of email by the proxy is shown in FIG. **9**. At **136**, the proxy computer installation receives email from a sender such as one of the individuals **29** in FIG. **7**. At **138**, the proxy sender determines it's an email intended for a customer and looks up the customer email addresses and filter preferences. The email server is configured to send all of the incoming proxy email messages to a common "catch-all" account. Email messages for the email server are stored according to RFC821 (SMTP) requirements. The email address management system periodically checks each account for new email messages via the known POP protocol. This polling model was chosen to separate the email address management system from the email server. Thereby, the email server does not need to have intrinsic knowledge of the management system. The management system is therefore capable of using any email server that supports the POP protocol.

When new email is found, the system iterates through each email found on the email server. For each message, it checks the "To:" addresses and the "Cc:" addresses for virtual email addresses being served by the proxy. If it finds one, it retrieves the real email address for that customer and that customer's email forwarding preference. At **140** it is determined whether the customer has chosen to filter out all email. If that is the case, the program is ended at **132**. If the answer is no, then it is determined whether the customer has sought to filter out junk email, e.g., SPAM, bulk advertisements, etc. If the answer at the decision block **144** is yes, then the proxy uses known programs to determine, based on key words in the message, whether the message is likely to be SPAM, pornography, or other objectionable content. The number of recipients is checked in the "To:" or "Cc:" fields to determine if this is likely bulk solicitations or mailings and these are filtered out. Email from known purveyors of SPAM, bulk mailings and ads can be filtered out. Once filtration is done, the remaining emails are, at **148**, stripped of their message, copied into an email from the proxy to the customer. It is sent to the customer along with the sender's email address and a message that the email was received by the proxy. The email is then forwarded to the customer at **150**. Once every email address for that message has been checked for proxy users, it is deleted from the host email server.

As shown in FIG. **15**, in addition to email, the customer can receive messages directly from the proxy **60**. These are typi-

cally messages bearing on the status of the account and also messages that can indicate the receipt of surface mail. Remembering that the contact information in WHOIS includes the proxy's address, persons desirous of sending surface mail will from time to time address that surface mail to the mailing address in the contact information. FIG. 13 is a screen shot illustrating the proxy's communication of, in this case, the receipt of a complaint instituting a suit against the customer. This is shown at the field 212. At 214 the customer is given the opportunity to say that he or she does wish to receive this mail, or at 216 the customer is given an opportunity to decline receiving the mail.

Private domain name registration may further be used to safeguard domain names. Private domain name registration in itself may serve as a domain name hijack preventive measure because a malicious person does not have access to the registrant's contact information, thus it's harder to impersonate the registrant to obtain control over the domain name. Domain hijacking is typically done by initiating domain name transfer requests or notices in anticipation that a valid domain name owner would accept such requests or overlook the notices. The domain name transfer request is an email message requesting domain name transfer that requires an affirmative action on the part of the current registrant; the domain name transfer notice is an email message notifying the current registrant that transfer of the domain name will go forward within a predetermined period of time unless the current registrant specifically declines it.

Referring to FIG. 16, a domain name registering entity (such as a domain registry, registrar, or reseller) or an independent proxy registration service may offer a domain name hijack protection to their actual or potential customers (Step 1605). The domain name hijack protection may be offered as a standalone service or may be bundled with other products, e.g. private registration service. It may be a paid service or may be included for free with other products. With direction from the customer, the domain name hijack protection service may be applied to a domain name with a private registration service (Step 1610). When a domain name transfer request is received in a proxy email address listed in the domain name's WHOIS records (Step 1615), the domain name registering entity or the proxy registration service may ignore it (Step 1620). Ignoring may include deleting the domain name transfer request without forwarding it to the customer. Optionally, a notification describing that the transfer request was ignored may be sent to the customer.

Alternatively, as shown in FIG. 17, when a domain name transfer notice is received in the proxy email address listed in the domain name's WHOIS records (Step 1715), the domain name registering entity or the proxy registration service may decline it (Step 1720). The transfer notice may be declined using an automated means or by human intervention, typically by following a particular link in the transfer notice. Optionally, a notification describing that the transfer notice was declined may be sent to the customer.

The customer may be given an ability to turn the domain name hijack protection service on and off, as well as an ability to adjust a variety of settings associated with the service.

The foregoing descriptions of at least one preferred embodiment are exemplary and not intended to limit the claimed invention. Obvious modifications that do not depart

from the spirit and scope of the invention as claimed in the following claims will be apparent to those skilled in the art.

The invention claimed is:

1. A method, executed on one or more computers, comprising the steps of:
 - a) receiving a domain name transfer notice via a proxy email address stored in a WHOIS record and which differs from an actual email address associated with a domain name registered to a customer using the contact information of a proxy registration service provider for a private registration, and
 - b) declining said domain name transfer notice without forwarding said domain name transfer notice to a registrant of said domain name.
2. The method of claim 1, further comprising a step of:
 - c) registering said domain name prior to receiving said domain name transfer notice.
3. The method of claim 1, further comprising a step of:
 - c) offering a domain name hijack protection service prior to receiving said domain name transfer notice.
4. The method of claim 3, further comprising a step of:
 - d) applying said domain name hijack protection service to said domain name.
5. The method of claim 3, further comprising a step of:
 - d) providing an ability to turn said domain name hijack protection service on or off.
6. The method of claim 1, further comprising a step of:
 - c) applying said private registration to said domain name prior to receiving said domain name transfer request.
7. The method of claim 1, wherein said steps a) and b) are performed by a domain name registering entity.
8. The method of claim 1, wherein said steps a) and b) are performed by said proxy registration service provider.
9. The method of claim 1, further comprising a step of:
 - c) informing said registrant that said domain name transfer notice was declined.
10. A method, executed on one or more computers, comprising the steps of:
 - a) offering a domain name private registration service registering, using the contact information of a proxy registration service provider, a domain name to a customer,
 - b) receiving a request from a customer for said domain name private registration service,
 - c) applying said domain name private registration service to said domain name,
 - d) offering a domain name hijack protection service,
 - e) receiving a request from said customer for said domain name hijack protection service for said domain name,
 - f) applying said domain name hijack protection service to said domain name,
 - g) receiving, via a proxy email address stored in a WHOIS record and which differs from an actual email address of said customer, a domain name transfer notice for said domain name
 - h) declining said domain name transfer notice, and
 - i) notifying said customer that said domain name transfer notice was declined.

* * * * *